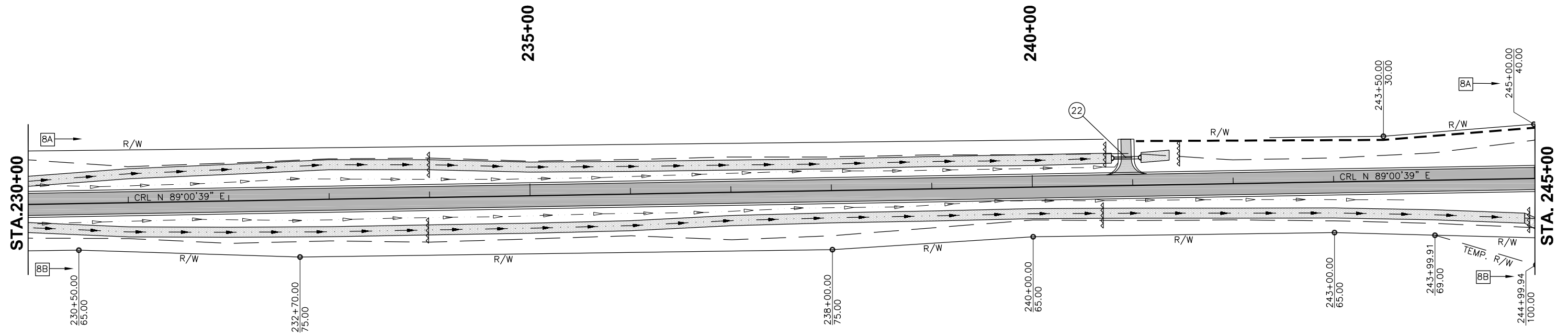


STR. NUMBER OR LOCATION	D.A.	DISTURBED AREA
20	7A	0.65 AC.
20	7B	0.66 AC.
20	7C	1.20 AC.
20	7D	0.99 AC.
TOTAL	7	3.50 AC.



LEGEND	
TEMPORARY SILT FENCE	---
TEMPORARY SILT DIKE	~ ~ ~
SOLID SLAB SOD DITCH	▬▬▬
NYLON MAT	▨▨▨
RIPRAP	▩▩▩

QUANTITIES
SEE SUMMARY OF EROSION CONTROL QUANTITIES, SHEET NUMBER AX03